

OVERVIEW

The PINIX line is a series of advanced Bluetooth Low Energy 5.x devices using multi-standard beacon technology. The PINIX TOW-5 is a BLE Angle of Arrival (AoA) Tag which is specially conceived for advanced business solutions using location based and asset tracking based applications. The PINIX TOW-5 can be easily mounted on various surfaces and uses commercially available replaceable button cells.



The PINIX TOW-5 is used for precise tracking of equipment and wares with replaceable 2Ah Lithium battery (about 5 Years battery life), with temperature, humidity, accelerometer sensors, button, LED and IP65 protected enclosure. It comes with a downloadable SDK with an extensive library for easy integration into a wide range of location based and indoor tracking applications. It also includes a wide range tool facilitating optimal setup and installation.

BLUETOOTH RADIO

Type:

Bluetooth Low energy 5.1 (AoA)

Advertisement:

- iBeacon
- Eddystone (UID & TLM)
- sBeacon (Sentrax Proprietary)

Advertisement Interval:

100ms to 10seconds

Frequency:

2.4GHz

Transmit Power:

+4dBm to -20 dBm

Antenna Type:

Chip Antenna, Omni Directional

BATTERY

Battery type:

CR2477 x 1, 1000mAh, Replaceable
CR2477 x 2, 2000mAh, Replaceable (Enhanced*)

Battery Life:

(Advertisement Rate)	(Battery Life)
500ms	3 Year 7 months
5000ms	5 Years 5 months

SENSORS AND INTERFACES

Motion sensing	3 Axis Accelerometer
Pressure sensing	0.3 - 1.2 bar (Enhanced)
Humidity sensing	0 - 100 %RH (Enhanced)
Temperature	Internal Temperature Sensor
Button	1 user interact-able button
LED	1 Red LED

CERTIFICATIONS

CE**, FCC**

ENCLOSURE

Material:

ABS

Color:

Beige

Weight:

45g

Dimensions:

51 mm x 51 mm x 20 mm

Accessories:

Double Sided Tape, Mounting Screw

Protection Class:

IP65

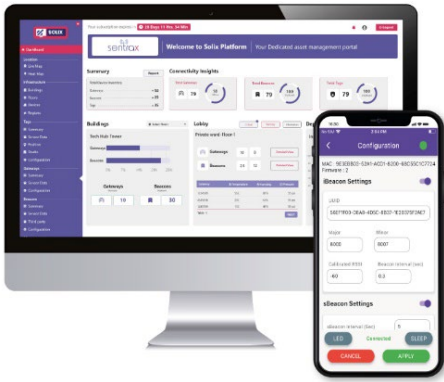
OPERATING ENVIRONMENT

Temperature Range	-30°C to 85°C
Operating Humidity	90%

1. *Enhanced version has life increase between 4 to 12 months based on advertisement rate.

2. **Pending

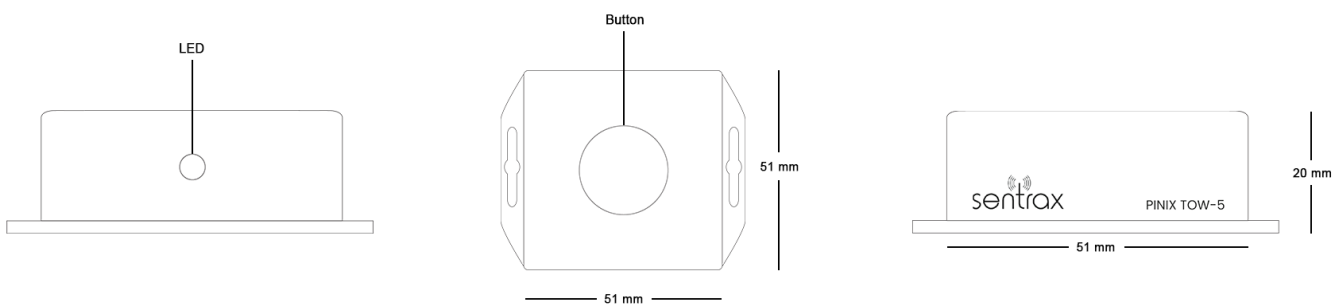
SENTRAX DEVICE MANAGER



With the Sentrax Device Manager (SDM) application you can scan for nearby configurable PINIX beacons, display their battery status, view their settings and make modifications to those settings. Configuration of beacons are password protected with a four (4) digit user defined PIN.

As an added safety feature, the beacons can only be configured within a period of 15 minutes after installing the batteries or can be manually triggered into configuration mode by pressing the reset button on the Tag. However, this time duration can be increased through the settings to up to 3 weeks or more.

MECHANICAL DRAWINGS



APPLICATION AREAS

- Indoor localization
- Location based services
- Asset & logistics tracking

CAUTION



- Risk of explosion if battery is replaced by an incorrect type.
- Dispose of used batteries according to the instructions
- Glue should be used to close the enclosure if opened by use

RECYCLING

This product bears the selective sorting symbol for Waste electrical and electronic equipment (WEEE). This means that this product must be handled pursuant to the European directive 2012/19/EU in order to be recycled or dismantled to minimize its impact on the environment.

All product names, logos, and brands are property of their respective owners. All company, product and service names used in this datasheet are for identification purposes only. Use of these names, logos, and brands does not imply endorsement.



CONNECT WITH US



www.sentrax.com



support@sentrax.com

Copyright © 2024, Sentrax.
All Rights Reserved.